

# Aerospace and Defense



**EDAM CAD Services,**  
Royal Leamington Spa. Warwickshire. United Kingdom.  
Whatsapp: +44(0) 759 879 2910

# Aerospace and Defense



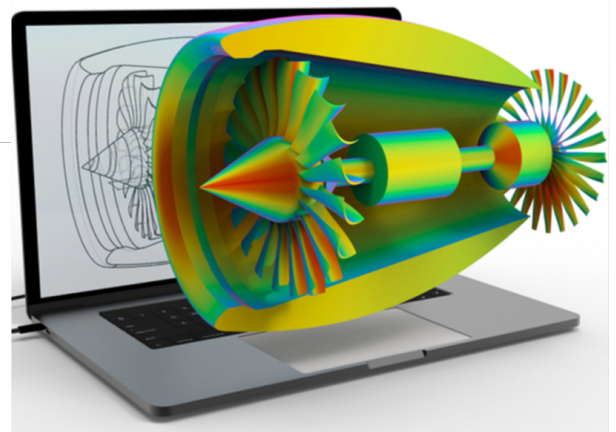
**EDAM CAD SERVICES**, our aim is to become a preferred supplier for aerospace sector manufacturers and suppliers, in the United Kingdom and globally, providing engineering solutions, project management, and facilitating the work of our clients throughout the product life cycle.

We are aware that this is a very competitive sector, but we are confident that our experience and expertise in design and structural stress calculation, and in the definition and integration of systems, testing, production line support, and supply chain management, collectively totalling decades can bring an added value to aerospace projects.



As the future of industrial processes are transformed by digital technology, innovation, and improvements in production, efficiency and manufacture; 3D printing, digital management, virtual or augmented reality, we are presented with the opportunities implicit in the growth of Industry 4.0.

We are able to provide R&D, innovation in manufacturing processes, or substantial improvements in maintenance processes in the context of aircraft, support machinery, air traffic control, flight control systems, and also high-quality material stress calculation services. We are looking for collaboration with universities and investors to achieve this transformation, developing these technologies, alongside our in-house applications developed for the new industrial tendencies.



We can provide flexible teams of experienced engineers as and when needed by the client, all our team members are highly trained and well qualified and can work remotely or hands-on.

**EDAM CAD SERVICES** supply expertise and supervision for everything related to engineering support and manufacturing.

We are able to manufacture a wide range of products and parts to order.

We cover all activities associated with product fabrication, from definition in models or designs to finished product, including process planning, tool design, assembly support, digital production, offline balancing and simulation.

- Customer specification.
- Technical support.
- Documentation, design and customer requirement.
- Design of tools for manufacture and assembly
- Ground support team (GSE).
- Manufacturing engineering support.
- Mounting engineering support.
- Simulation of manufacturing processes.
- Technical Instructions (TIs Graphics).

# Aerospace and Defense



Since 2002, our specialists have carried out projects for different clients for Spain, the United Kingdom, the United States of America, among others, such as the New Generation of US Presidential Aircraft - Primary Responsibilities; Crew Rest Room, Conference Room, Interior Cabinets and Bulkhead Panels. Also project management, complete static analysis, composite and metallic materials. Specifications of fatigue and tolerance to damage and stress problems. Complete static and dynamic analysis.

We can help with all activities carried out after the manufacture or sale of the product, for example, integrated logistics support, development of technical manuals, maintenance and product certification, etc.

We can also provide;

Online training and support (CAD / CAM, electrical, mechanical, maintenance, stress)

Outsourcing. Courses and Training for Online Support Workers

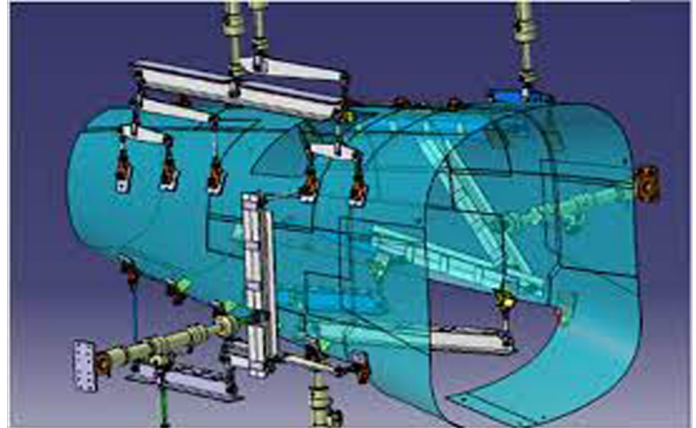
We are online, with a CAD / CAM training platform. Software and everything the customer wants: structural fatigue calculations, stress calculation and certification.

Fatigue Tolerance Analysis

Stress

Calculation of structures.

Implementation of new materials in assembly lines.



Airbus 321 - Fatigue tolerance and damage to component test.-Fuselage.

## PRODUCT SUPPORT ENGINEERING

Includes engineering activities related to the definition and development of products. Activities that cover R&D, design and definition of products such as automobiles, airplanes, trains, etc., until the production drafts are completely defined. Including, for example, design conceptualization, engineering, or sizing details.

- Conceptual design, style and specifications
- Systems engineering
- Mechanical and electrical installations
- 2D drawing and documentation
- Harnesses and 3D installations.
- Test design



Boeing 777 - Air Force One - New generation of presidential aircraft - USA.



Project Casa C235 Deepwater USA,



NH90 Helicopter project

Other specific service facilities can be provided if and when needed....

# Aerospace and Defense

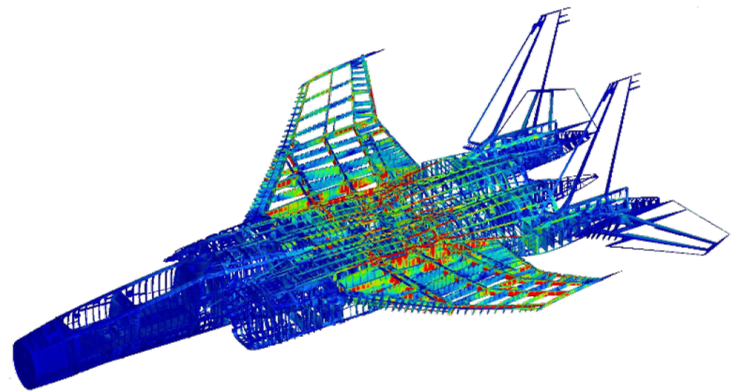


## Company Values and Code of Ethics

- a) **Honesty:**  
Understood as a fundamental moral value to establish internal interpersonal relationships with the members of the organization based on trust, sincerity, and mutual respect.
- b) **Trust:**  
Understood as the security in the realization of our commitment to our clients, taken on with seriousness and responsibility.
- c) **Respect:**  
Understood as the indispensable value that makes it possible to establish a relationship of trust with our clients as a vital condition for effective communication and results.
- d) **Service Attitude:**  
We work every day to satisfy the needs of our clients, to meet these requirements in terms of time, cost, and quality.
- e) **Teamwork:**  
We work for a shared goal and help each other to achieve it together.
- f) **Project management:**  
We have interdisciplinary teams in various business areas with experience to ensure the successful development of a multitude of projects



We work with high-specification Military and Civil projects



## Our Structure

We are constantly adding skillful personnel with knowledge and experience to develop specific high demand projects in the industrial, commercial, and institutional sectors. We currently cover electrical engineering, finite elements for stress and certification, and mechanical engineering.

## OUR TEAM

Trouble coping with the current workload?

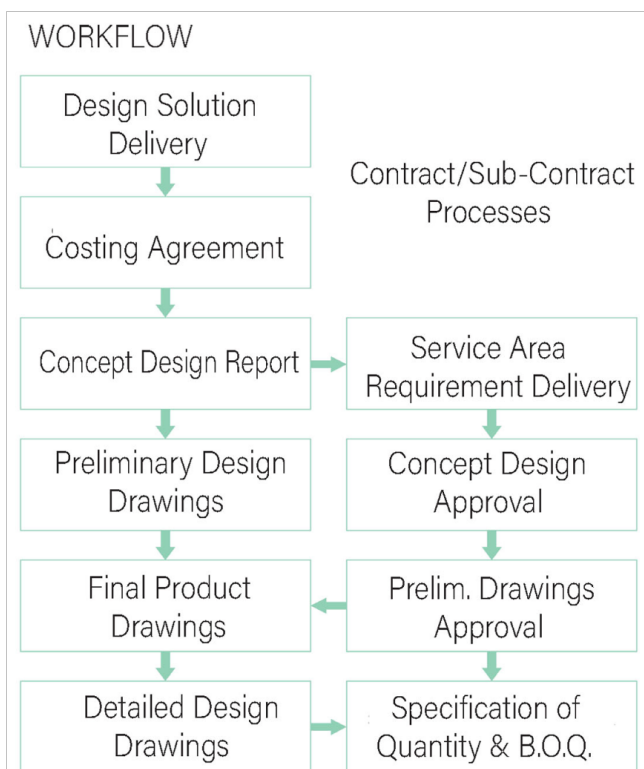
Let EDAM put together a team of engineers; experts trained to work both remotely and in-house, selected to the client's requirements, for small jobs or big projects.

Ask for a consultation now to assess our services

## Corporate Training Services

EDAM can also support your corporate training, we offer the following customised courses:

- CAD / CAM
- Electric
- Mechanical
- Maintenance
- Stress



# Aerospace and Defense



EDAM CAD SERVICES has agreements to provide and supervise everything related to electrical engineering and manufacturing support.

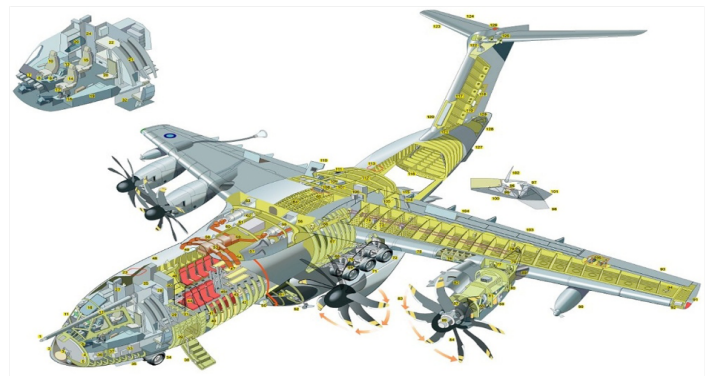
This includes all the activities associated with the manufacture of the product, from its definition in models or designs, until it leaves the assembly line: process planning, tool design, assembly support, digital production, offline balancing and simulation.

We are able to manufacture a wide range of products and components with our associates..



We see the development of drone technology as a vital industry

We are currently looking for joint-venture partners in the development of earth-friendly transport systems for example; new generation batteries and energy cells, among other sources of propulsion, with the aim of achieving zero carbon emissions.



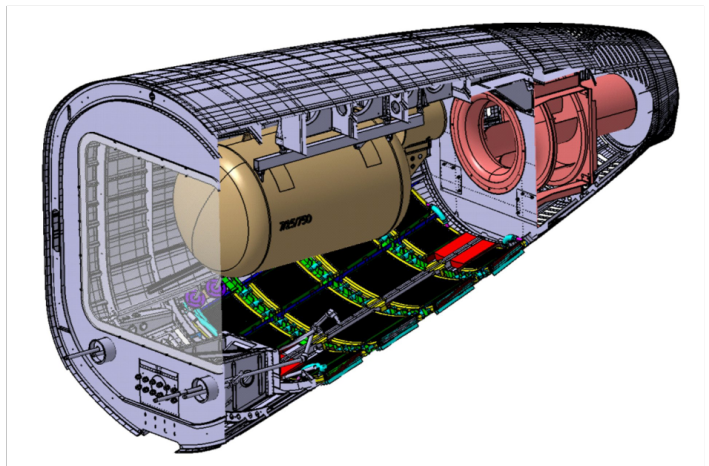
Airbus A400 M

These are some of the challenges facing all branches of the aerospace and defense industry.

With our collective experience spanning decades in these fields, Edam CAD Services can bring added value to your project, increasing efficiency and keeping down costs.

We can provide;

- Routine maintenance to minimize downtime.
- Service visits planned weekly, monthly, quarterly or coinciding with company schedules.
- Engineers check equipment regularly to recommend updates.
- Engineers can be supplied on site for small project jobs.
- Repair of conveyor equipment: boom, under the belt and line axis, mechanical bulls, PPT. As well as control systems, we can also provide adequate training where and when necessary, and preventative and corrective maintenance on request.



ILA-Berlin Fuel cell tailcone

For more information interested parties should not hesitate to get in touch.



We can provide designs for rugged installations, effective under the

# Aerospace and Defense



Our young, energetic, highly skilled teams have carried out important, high profile work on various projects with several important companies including Airbus, Land Rover, Talgo, Caterpillar and many other iconic organizations.



Boeing 777 New Generation aircraft, several areas of work carried out by Edam CAD specialist, incl. crew off-duty room and conference room

Edam CAD Services bring a positive can-do attitude and strong perfectionist work ethic, adding value through our enthusiastic and flexible multifunctional teams, from consulting to construction and beyond, also we are able, through our associates, to produce components as needed.



USA Air Force One - Conference Room. Boeing 777

We are interested in developing our environmentally responsible, sustainable business model in conjunction with other forward looking companies.

To discover how we can help your project do not hesitate to contact us through our website:

**[www.edamcadservices.com](http://www.edamcadservices.com)** or  
by email: **[sales@edamcadservices.com](mailto:sales@edamcadservices.com)**  
or by Whatsapp: **+44(0) 795 879 2910**



Working with Military and Civil aviation precision projects

**We look forward to hearing from you**